

Clarke[®]

air



3PC AIR BLOW GUN KIT

MODEL NO: CAT211

PART NO: 3120528

OPERATING & MAINTENANCE INSTRUCTIONS

ORIGINAL INSTRUCTIONS

GC1019 - ISS 1

INTRODUCTION

Thank you for purchasing this CLARKE Blow Gun kit.

Before attempting to use this product, please read this manual thoroughly and follow the instructions carefully. In doing so you will ensure the safety of yourself and that of others around you, and you can look forward to your purchase giving you long and satisfactory service.

Please keep these instructions in a safe place for future reference.

SPECIFICATION

Max Operating Pressure	90 psi (6.2 bar)
Air Inlet Size	1/4" BSP Female
Air Consumption	9.5 cfm (max @90psi)
Dimensions	Pocket Blow Gun - 97 x 20 x 29mm (0.057kg) Short nozzle Blow Gun - 130 x 140 x 21mm (0.13kg) Long nozzle Blow Gun - 240 x 17 x 87mm (0.085kg)

COMPRESSED AIR REQUIREMENTS



WARNING: COMPRESSED AIR CAN BE DANGEROUS. ENSURE THAT YOU ARE FAMILIAR WITH ALL PRECAUTIONS RELATING TO THE USE OF COMPRESSORS AND COMPRESSED AIR SUPPLY.

Use only clean, dry, regulated compressed air as a power source.

A build-up of moisture or oil in the air compressor will accelerate wear and corrosion in the tool. Ensure any moisture is drained from the compressor daily and the inlet filter is kept clean.

If an unusually long air hose is required, (over 8 metres), the line pressure or the hose inside diameter may need to be increased.

The hose must be rated at 150% of the max operating pressure of the tool.

If an automatic in-line filter/regulator is used, it will keep the tool in good condition, but should be regularly checked.

Never exceed the maximum operating pressure for the air tool. It is recommended that air pressure to this tool does not exceed 90 psi. Higher pressures and dirty air will shorten the life of the tool due to faster wear and is a possible safety hazard

GENERAL SAFETY RULES



CAUTION: FAILURE TO FOLLOW THESE PRECAUTIONS COULD RESULT IN PERSONAL INJURY AND/OR DAMAGE TO PROPERTY.

THE WORK ENVIRONMENT

1. Keep the work area clean and tidy.
2. Dress appropriately - Do not wear loose clothing or jewellery. Tie long hair out of the way.
3. Keep children and visitors away - Do not let children handle the tool.

USE OF AIR POWERED TOOLS

1. Stay alert and use common sense - do not operate this air tool when you are tired or under the influence of alcohol, drugs or medication.
2. **Always wear eye protectors when using the air tool. Eye protectors must provide protection from flying particles from the front and the side.**
3. DO NOT use the blow gun when other persons or animals are nearby or may be hit by flying debris caused by the blow gun.
4. DO NOT overreach - Keep proper footing and balance at all times.
5. Never use oxygen, CO², combustible gasses or any type of bottled gas as a source of power for this blow gun.
6. DO NOT connect the air supply hose with your finger on the trigger.
7. DO NOT exceed the maximum pressure for the air tool of 90 psi / 6.2 bar.
8. Keep the air supply hose away from heat, oil and sharp edges.
9. DO NOT fit the blow gun to a stand/clamping device that may damage it.
10. Check air hoses for leaks or worn condition before use and ensure that all connections are secure.
11. Do not use the blow gun for any purpose than that described here.
12. DO NOT carry out any alterations or modifications to the blow gun.
13. Always disconnect from the air supply when performing any maintenance.
14. DO NOT use the blow gun if it is defective or operating abnormally.
15. Always maintain your blow gun with care.
16. DO NOT discharge this blow gun at any persons or animals.

17. DO NOT insert into any part of yours or anyone else's body.
18. DO NOT point directly at a person's skin or at a fire.
19. DO NOT carry the blow gun by the hose or with your finger on the trigger.
20. When not in use the blow gun must be disconnected from the air supply and stored in a dry place out of the reach of children.
21. DO NOT store the blow gun where the temperature is below 0°C.

CONNECTING /DISCONNECTING THE AIR SUPPLY

1. Connect a suitable hose to the air inlet.
2. Connect the other end of the air hose to the air compressor.
3. Turn on the air supply and check for air leaks. Rectify any found before proceeding.
 - PTFE tape may be useful for sealing threaded connections.
4. Your blow gun is now ready for use.
5. Set the compressed air pressure to suit at the compressed airline regulator.
6. DO NOT disconnect the air supply hose until the compressed air has been isolated at a shut off valve. Once the pressure has been released, disconnect the air supply hose.

MAINTENANCE



WARNING: MAKE SURE THAT THE BLOW GUN IS DISCONNECTED FROM THE AIR SUPPLY BEFORE STARTING ANY CLEANING OR MAINTENANCE PROCEDURES.

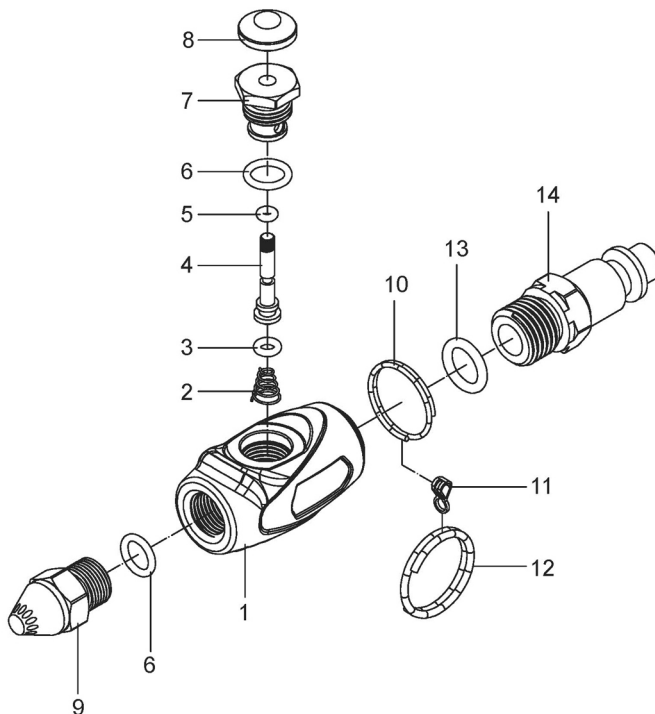
-
1. Before use, drain any condensate from the airline filter and compressor.
 2. Clean thoroughly after use with a suitable solvent.

Please note that outside factors may affect the blow gun operation and efficiency. These include reduced compressor output, excessive drain on the airline, moisture or restrictions in the air-line, or the use of connectors of improper size or poor condition which will reduce air supply.

Your CLARKE blow gun has been designed to give long and trouble free service. If, however, having followed the instructions in this booklet carefully, you encounter problems, take the product to your local CLARKE dealer.

COMPONENT PARTS

Mini (Pocket) Blow Gun with Safety Tip

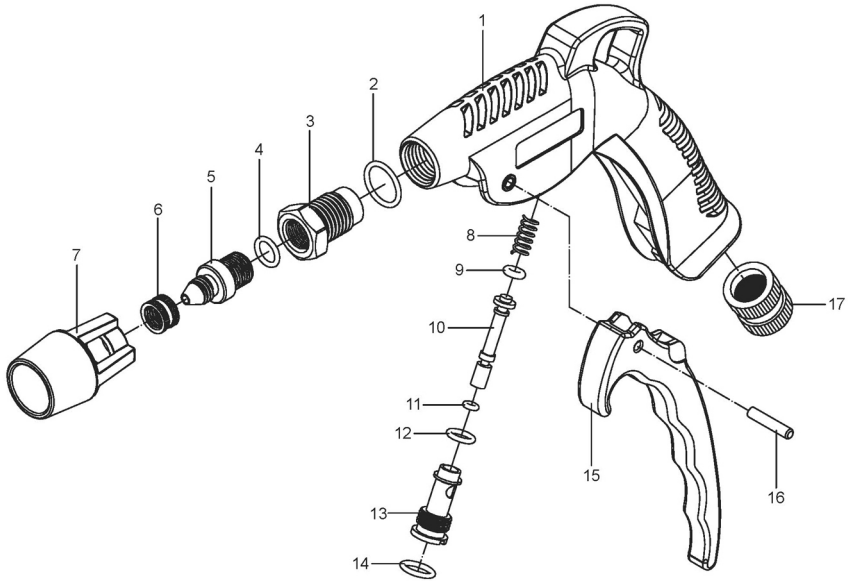


No	Description
1	Main Housing
2	Spring
3	O-ring
4	Valve stem
5	O-ring
6	O-ring
7	Valve seat

No	Description
8	Button
9	Nozzle
10	Large ring
11	Small ring
12	Large ring
13	O-ring
14	Air inlet

COMPONENT PARTS

Short nozzle gun with turbo venturi tip

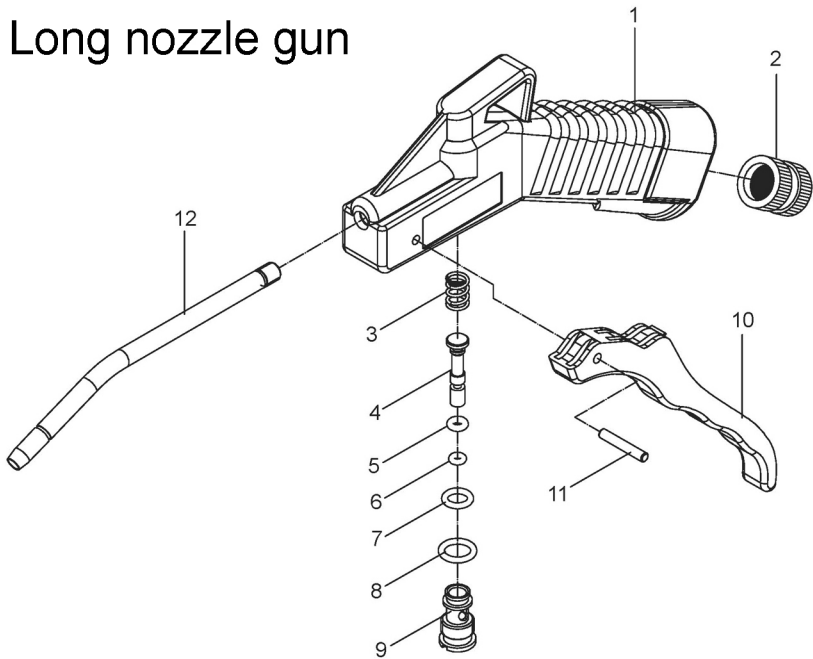


No	Description
1	Main Housing
2	O-ring
3	Connector
4	O-ring
5	Nozzle
6	Nozzle sleeve
7	Venturi tip
8	Spring
9	O-ring

No	Description
10	Valve stem
11	O-ring
12	O-ring
13	Small ring
14	Large ring
15	Trigger
16	Pin
17	Air inlet

COMPONENT PARTS

Long nozzle gun



No	Description
1	Main Housing
2	Air inlet
3	Spring
4	Valve stem
5	O-ring
6	O-ring

No	Description
7	O-ring
8	O-ring
9	Valve seat
10	Trigger
11	Pin
12	Air nozzle

A SELECTION FROM THE VAST RANGE OF

Clarke®

QUALITY PRODUCTS



AIR COMPRESSORS
From DIY to industrial, Plus air tools, spray guns and accessories.

GENERATORS
Prime duty or emergency standby for business, home and leisure.

POWER WASHERS
Hot and cold, electric and engine driven - we have what you need

WELDERS
Mig, Arc, Tig and Spot. From DIY to auto/industrial.

METALWORKING
Drills, grinders and saws for DIY and professional use.

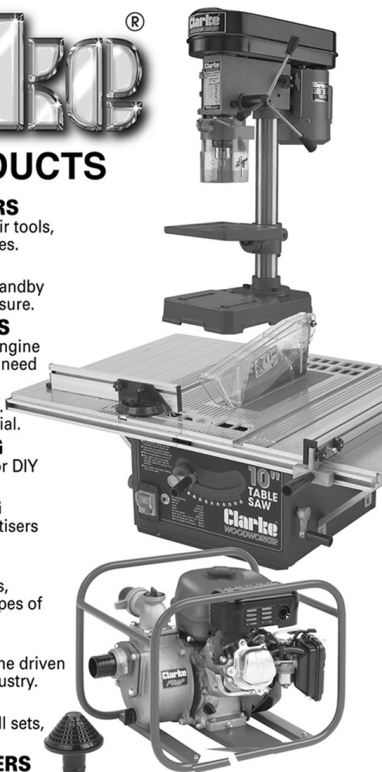
WOODWORKING
Saws, sanders, lathes, mortisers and dust extraction.

HYDRAULICS
Cranes, body repair kits, transmission jacks for all types of workshop use.

WATER PUMPS
Submersible, electric and engine driven for DIY, agriculture and industry.

POWER TOOLS
Angle grinders, cordless drill sets, saws and sanders.

STARTERS/CHARGERS
All sizes for car and commercial use.



This product is guaranteed against faulty manufacture for a period of 12 months from the date of purchase. Please keep your receipt which will be required as proof of purchase.

This guarantee is invalid if the product is found to have been abused or tampered with in any way, or not used for the purpose for which it was intended. Faulty goods should be returned to their place of purchase, no product can be returned without prior permission.

This guarantee does not affect you statutory rights.

PARTS & SERVICE: 020 8988 7400

E-mail: Parts@clarkeinternational.com or Service@clarkeinternational.com

SALES: UK 01992 565333 or Export 00 44 (0)1992 565335

Clarke® INTERNATIONAL Hemnall Street, Epping, Essex CM16 4LG
www.clarkeinternational.com